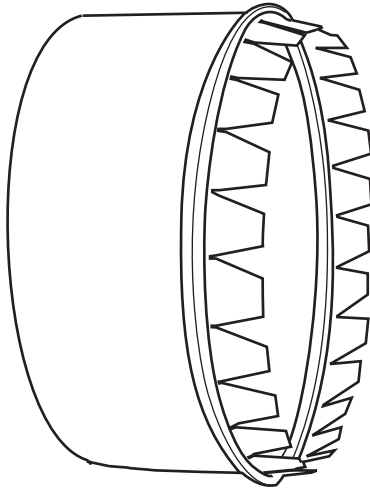
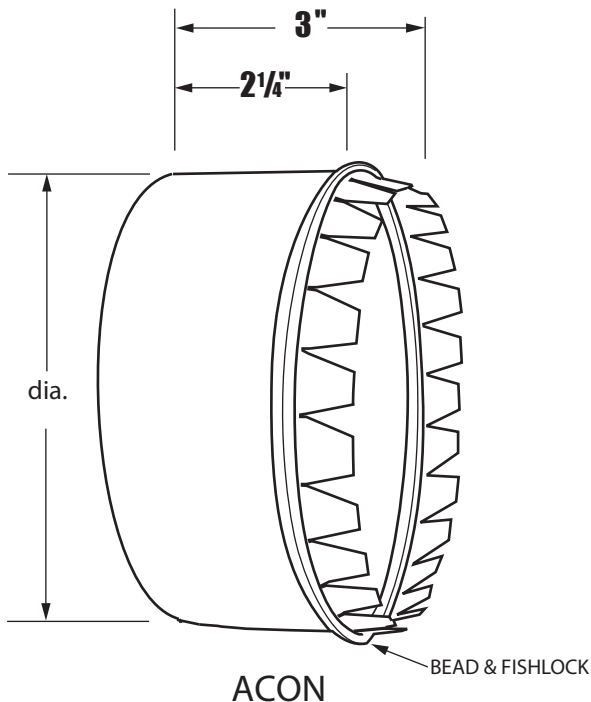


### ACON Starter Collar Connector - Galvanized



ACON

Size	Code	Description
3" dia	ACON0332	3"x 32 ga. Galvanized Collar (No crimp)
4" dia	ACON0432	3"x 32 ga. Galvanized Collar (No crimp)
5" dia	ACON0532	5"x 32 ga. Galvanized Collar (No crimp)
6" dia	ACON0632	6"x 32 ga. Galvanized Collar (No crimp)
7" dia	ACON0732	7"x 32 ga. Galvanized Collar (No crimp)
8" dia	ACON0832	8"x 32 ga. Galvanized Collar (No crimp)
9" dia	ACON0928	9"x 28 ga. Galvanized Collar (No crimp)
10" dia	ACON1028	10"x 28 ga. Galvanized Collar (No crimp)
12" dia	ACON1228	12"x 28 ga. Galvanized Collar (No crimp)
14" dia	ACON1428	14"x 28 ga. Galvanized Collar (No crimp)



ACON

Starter Collar Connectors

#### Performance Data

for galvanized starter connector collars

#### Material

- all galvanized

#### General Information

- used to connect main HVAC duct line
- collar allows flex duct connection to starter collar