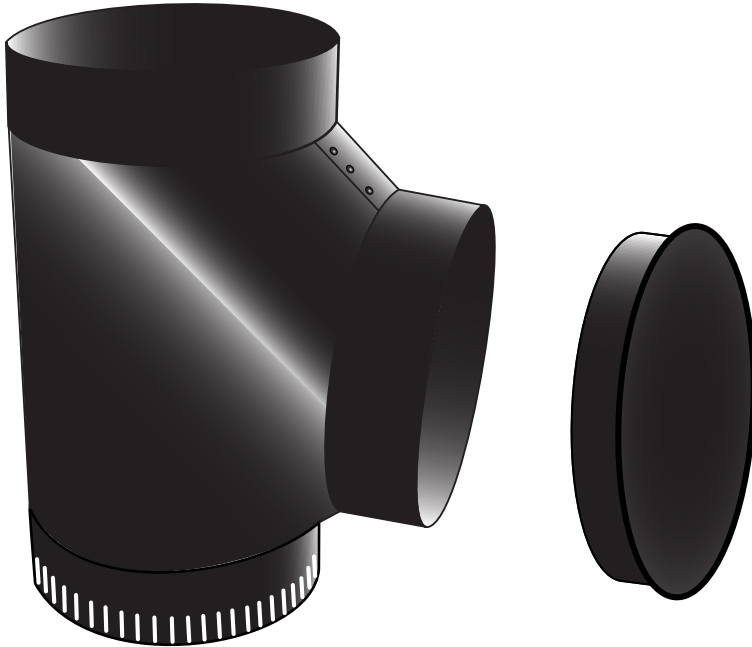


BTEEC - 24 gauge 90 degree Tee, with collar, and Cap



BTEEC

Model No.	Description
BTEE424C	Black Stove Tee Capped, 4" Dia. X 90 Deg. X 24ga Sheet Metal (10.2 X 90deg X .060cm) Collars At All Ends
BTEE524C	Black Stove Tee Capped, 5" Dia. X 90 Deg. X 24ga Sheet Metal (12.7 X 90deg X .060cm) Collars At All Ends
BTEE624C	Black Stove Tee Capped, 6" Dia. X 90 Deg. X 24ga Sheet Metal (15.2 X 90deg X .060cm) Collars At All Ends
BTEE724C	Black Stove Tee Capped, 7" Dia. X 90 Deg. X 24ga Sheet Metal (17.8 X 90deg X .060cm) Collars At All Ends
BTEE824C	Black Stove Tee Capped, 8" Dia. X 90 Deg. X 24ga Sheet Metal (20.3 X 90deg X .060cm) Collars At All Ends

Performance Data

for 24 gauge black tee/ with collar

Materials

- 24 gauge(.6mm) black steel

General Information

- heavy gauge tees with collars to connect pipe, crimped one end
- includes non-crimped black cap
- minimum clearance to combustible material is 18"
- clearance to combustibles can be reduced by using a heat shield (50%)

Model No.	A
BTEEC424	4" dia.
BTEEC524	5" dia.
BTEEC624	6" dia.
BTEEC724	7" dia.
BTEEC824	8" dia.

