

DT-Galvanized Rectangular Duct - 4 ft

Performance Data

for galvanized, rectangular duct

Material

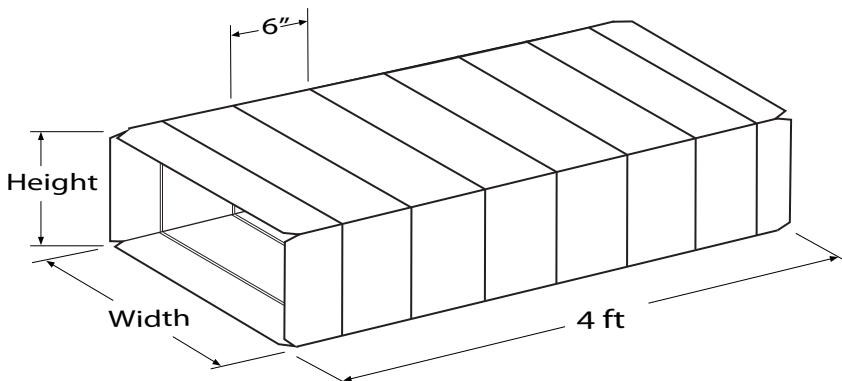
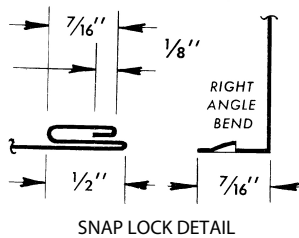
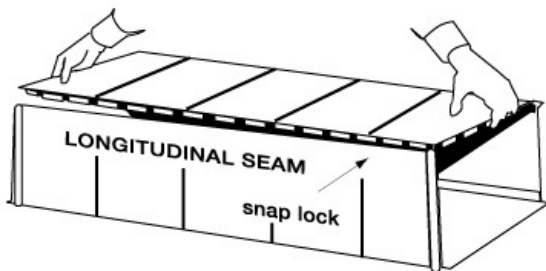
- galvanized steel
- thickness - 30ga. to 26ga.

Manufactured

- Produced in "L" shaped pieces
- Manufactured with button punch snap lock

General Information

- Duct is stiffened by using 6" on center in-line Beading
- Duct is nested on steel racking
- SMACNA approved stiffening method



Code	Description
DT34104	Rect.Galv.Duct,3 1/4"x10"x48"x30ga,Beaded
DT068430	Rect.Galv.Duct,6"x 8"x48"x30ga,Beaded,Snap Lock
DT0610430	Rect.Galv.Duct,6"x10"x48"x30ga,Beaded,Snap Lock
DT0612430	Rect.Galv.Duct,6"x12"x48"x30ga,Beaded,Snap Lock
DT0614430	Rect.Galv.Duct,6"x14"x48"x30ga,Beaded,Snap Lock
DT0616430	Rect.Galv.Duct,6"x16"x48"x30ga,Beaded,Snap Lock
DT0618428	Rect.Galv.Duct,6"x18"x48"x28ga,Beaded,Snap Lock
DT0620428	Rect.Galv.Duct,6"x20"x48"x28ga,Beaded,Snap Lock
DT0622428	Rect.Galv.Duct,6"x22"x48"x28ga,Beaded,Snap Lock
DT0624428	Rect.Galv.Duct,6"x24"x48"x28ga,Beaded,Snap Lock
DT088430	Rect.Galv.Duct,8"x 8"x48"x30ga,Beaded,Snap Lock
DT088428	Rect.Galv.Duct,8"x 8"x48"x28ga,Beaded,Snap Lock
DT0810428	Rect.Galv.Duct,8"x10"x48"x28ga,Beaded,Snap Lock
DT0810430	Rect.Galv.Duct,8"x10"x48"x30ga,Beaded,Snap Lock
DT0812428	Rect.Galv.Duct,8"x12"x48"x28ga,Beaded,Snap Lock
DT0812430	Rect.Galv.Duct,8"x12"x48"x30ga,Beaded,Snap Lock
DT0814428	Rect.Galv.Duct,8"x14"x48"x28ga,Beaded,Snap Lock
DT0814430	Rect.Galv.Duct,8"x14"x48"x30ga,Beaded,Snap Lock
DT0816428	Rect.Galv.Duct,8"x16"x48"x28ga,Beaded,Snap Lock
DT0816430	Rect.Galv.Duct,8"x16"x48"x30ga,Beaded,Snap Lock
DT0818426	Rect.Galv.Duct,8"x18"x48"x26ga,Beaded,Snap Lock
DT0818428	Rect.Galv.Duct,8"x18"x48"x28ga,Beaded,Snap Lock
DT0820426	Rect.Galv.Duct,8"x20"x48"x26ga,Beaded,Snap Lock
DT0820428	Rect.Galv.Duct,8"x20"x48"x28ga,Beaded,Snap Lock
DT0822426	Rect.Galv.Duct,8"x22"x48"x26ga,Beaded,Snap Lock
DT0822428	Rect.Galv.Duct,8"x22"x48"x28ga,Beaded,Snap Lock
DT0824426	Rect.Galv.Duct,8"x24"x48"x26ga,Beaded,Snap Lock
DT0824428	Rect.Galv.Duct,8"x24"x48"x28ga,Beaded,Snap Lock
DT0826428	Rect.Galv.Duct,8"x26"x48"x28ga,Beaded,Snap Lock
DT0828428	Rect.Galv.Duct,8"x28"x48"x28ga,Beaded,Snap Lock
DT0830428	Rect.Galv.Duct,8"x30"x48"x28ga,Beaded,Snap Lock
DT0832428	Rect.Galv.Duct,8"x32"x48"x28ga,Beaded,Snap Lock
DT1010428	Rect.Galv.Duct,10"x10"x48"x28ga,Beaded,Snap Lock
DT1012428	Rect.Galv.Duct,10"x12"x48"x28ga,Beaded,Snap Lock
DT1014428	Rect.Galv.Duct,10"x14"x48"x28ga,Beaded,Snap Lock
DT1016428	Rect.Galv.Duct,10"x16"x48"x28ga,Beaded,Snap Lock
DT1018428	Rect.Galv.Duct,10"x18"x48"x28ga,Beaded,Snap Lock
DT1020428	Rect.Galv.Duct,10"x20"x48"x28ga,Beaded,Snap Lock
DT1022428	Rect.Galv.Duct,10"x22"x48"x28ga,Beaded,Snap Lock
DT1023428	Rect.Galv.Duct,10"x23"x48"x28ga,Beaded,Snap Lock
DT1024428	Rect.Galv.Duct,10"x24"x48"x28ga,Beaded,Snap Lock
DT1026428	Rect.Galv.Duct,10"x26"x48"x28ga,Beaded,Snap Lock
DT1028428	Rect.Galv.Duct,10"x28"x48"x28ga,Beaded,Snap Lock
DT1222428	Rect.Galv.Duct,12"x22"x48"x28ga,Beaded,Snap Lock
DT1224428	Rect.Galv.Duct,12"x24"x48"x28ga,Beaded,Snap Lock
DT1228428	Rect.Galv.Duct,12"x28"x48"x28ga,Beaded,Snap Lock