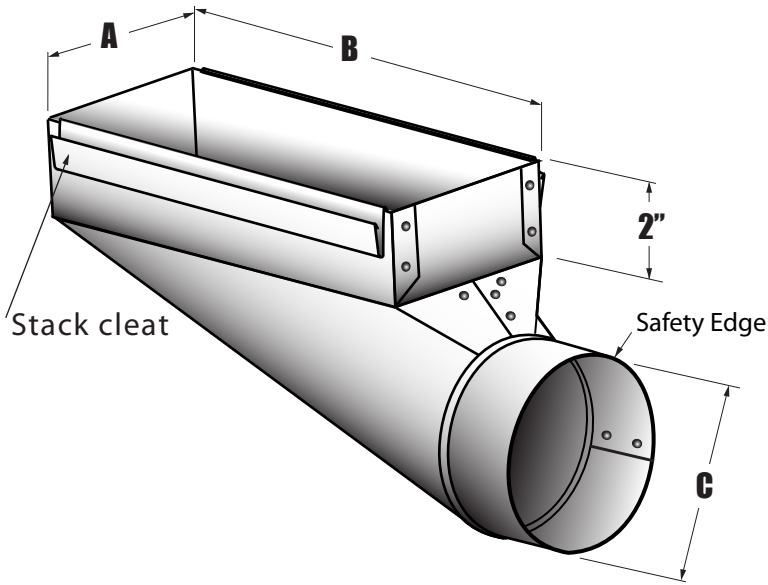
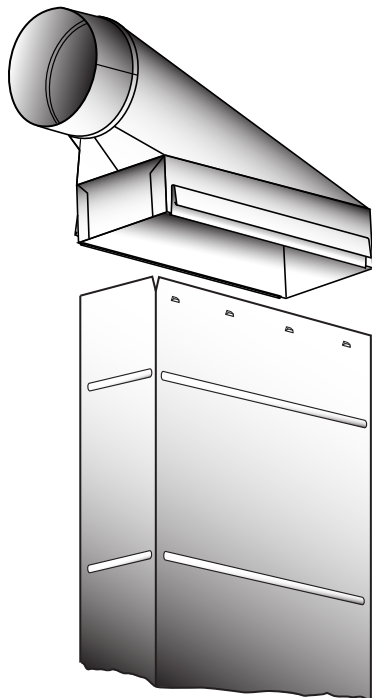


EBST-Angle Stack Boot, Galvanized



EBST



End Stack Boot

Model	Description
	A X B X C
EBST34105	3 1/4" x 10" x 5"
EBST34106	3 1/4" x 10" x 6"
EBST34126	3 1/4" x 12" x 6"

Performance Data

- for galvanized transitions

Material

- galvanized sheet metal (standard)

Construction

- dimple lock

Operating Temperature Range

- -100°F to 430°F / -73°C to 221°C

General Information

- connecting collars with smooth edge for safety
- Allows for connection to wall stack duct using Stack cleats
- transition from Round to Rectangular duct

Other sizes available upon request.