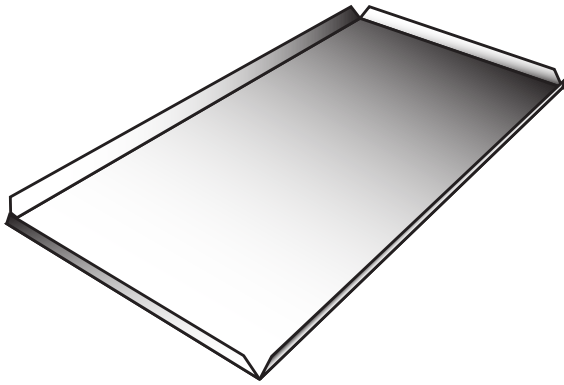


ENCA - End Cap, Galvanized



ENCA

End Cap

Model	Description - A x B x Gauge
ENCA03410	Duct End Cap, 3 1/4" x 10" x 30ga - Galvanized
ENCA03412	Duct End Cap, 3 1/4" x 12" x 30ga - Galvanized
ENCA0810	Duct End Cap, 8" x 10" x 30ga - Galvanized
ENCA0812	Duct End Cap, 8" x 12" x 30ga - Galvanized
ENCA0814	Duct End Cap, 8" x 14" x 30ga - Galvanized
ENCA0816	Duct End Cap, 8" x 16" x 30ga - Galvanized
ENCA0818	Duct End Cap, 8" x 18" x 28ga - Galvanized
ENCA0820	Duct End Cap, 8" x 20" x 28ga - Galvanized
ENCA0822	Duct End Cap, 8" x 22" x 28ga - Galvanized
ENCA0824	Duct End Cap, 8" x 24" x 28ga - Galvanized
ENCA088	Duct End Cap, 8" x 8" x 30ga - Galvanized
ENCA1020	Duct End Cap, 10" x 20" x 28ga - Galvanized
ENCA1022	Duct End Cap, 10" x 22" x 28ga - Galvanized
ENCA1024	Duct End Cap, 10" x 24" x 28ga - Galvanized
ENCA1026	Duct End Cap, 10" x 26" x 28ga - Galvanized

Standing Seams Right Angle Flange



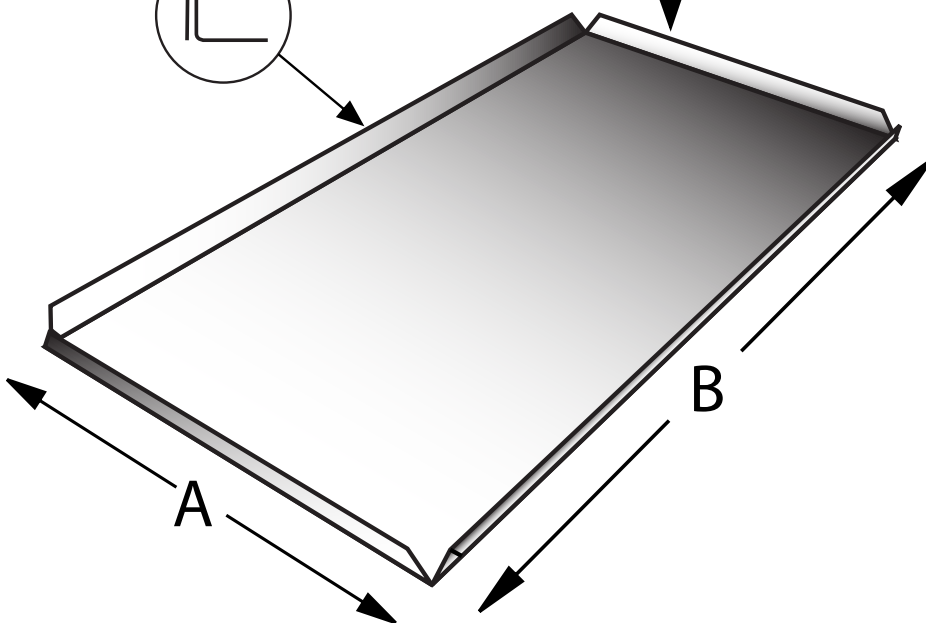
Used on 10" and Over End Caps

OR



Used on 8" End Caps

Standing Seam



Performance Data

Material

- galvanized sheet metal

Construction

- Roll Formed Lock

Operating Temperature Range

- 100 °F to 430 °F / -73°C to 221°C

General Information

- Allows for connection to wall stack duct
- Used to terminate a duct run

