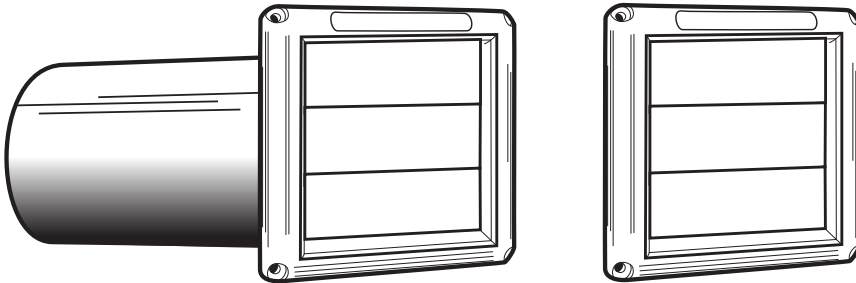


Dryer Vent - 6" (15.2) Supurr-Vent® Louvered Vent Hood, with aluminum pipe



SVHAW6, SVHAW6/8, SVHAB6, HSG6W/12,  
HSG6B/12, VHS6GW  
DRVH614W, DRVH614B

HS6W/12, HS6B/12

Model No.	Description	Color
SVHAW6	hood/pipe, assem.	White
SVHAW6/8	hood/pipe, assem.	White
SVHAB6	hood/pipe, assem.	Brown
DRVH614W	hood/pipe, assem.	White
DRVH614B	hood/pipe, assem.	Brown
HS6W/12	hood, no grid	White
HS6B/12	hood no grid	Brown
HSG6W/12	hood with grid	White
HSG6B/12	hood with grid	Brown
VHS6GW	hood with grid	White

### Performance Data

for plastic molded vent hoods

#### Hood

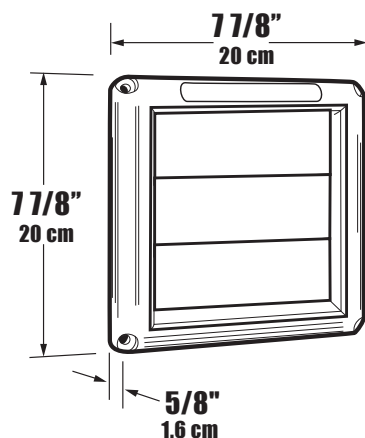
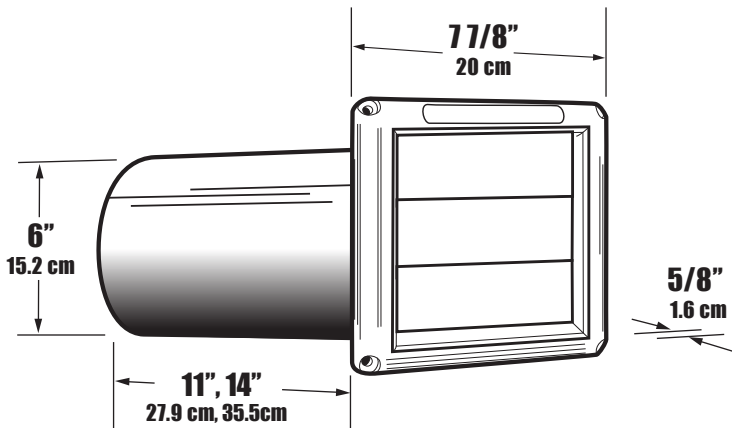
- Calcium filled Polypropylene
- Melting point: 325° F+
- UV Inhibitor added

#### Pipe

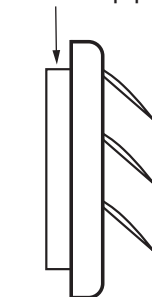
- Aluminum

### General Information

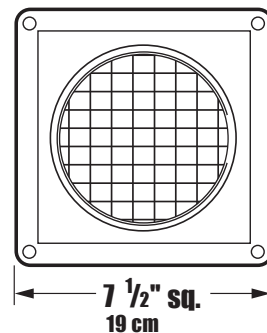
- 6" dia. opening
- quick, easy installation
- louvered construction helps prevent wind and rain from entering vent
- opens with ease for maximum airflow
- durable weather resistant
- curved louvers for quieter operation



Molded for easy connection of pipe



Side View



Rear View

HSG Shown

Hood Dia.	CFM	p/d in/w.c.
6" (15.2 cm)	100	.035
6" (15.2 cm)	125	.055
6" (15.2 cm)	150	.060
6" (15.2 cm)	175	.070
6" (15.2 cm)	200	.083
6" (15.2 cm)	225	.086
6" (15.2 cm)	250	.088
6" (15.2 cm)	275	.088
6" (15.2 cm)	300	.093