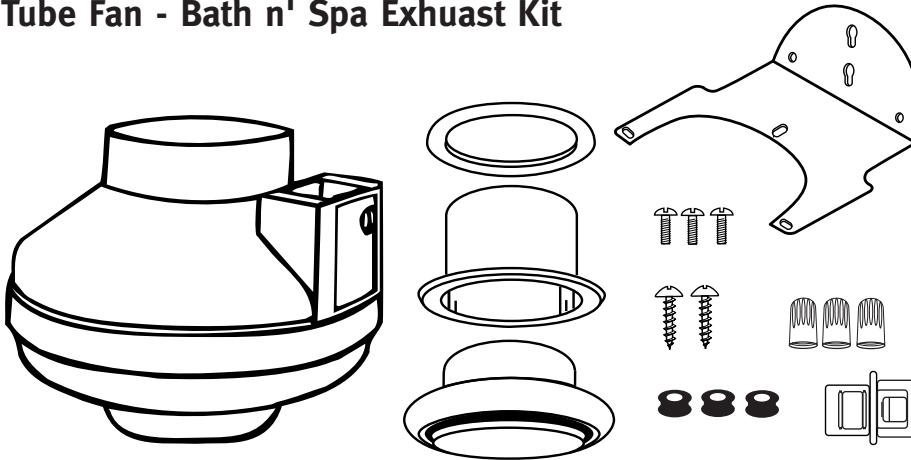


Tube Fan - Bath n' Spa Exhaust Kit



Model No.	Description
TFK6	6" bath exhaust booster Tube-Fan [®] Fan Kit

Performance Data

for 6" model tube fan

Material (housing)

- high impact plastic

Motor

- totally enclosed, permanently sealed and lubricated ball bearings, external terminal box with pre wired capacitor. Meets UL specifications.

Technical Data

- Duct Diameter - 6 inch
- CFM O" SP - 275
- Fan HP - 1/8
- Watts - 90
- RPMs - 3,000
- Volts - 120
- Sones - 2.8*

* Sone rating at fan. Sone level at exhaust grill opening is significantly reduced with remote mounting

General Information

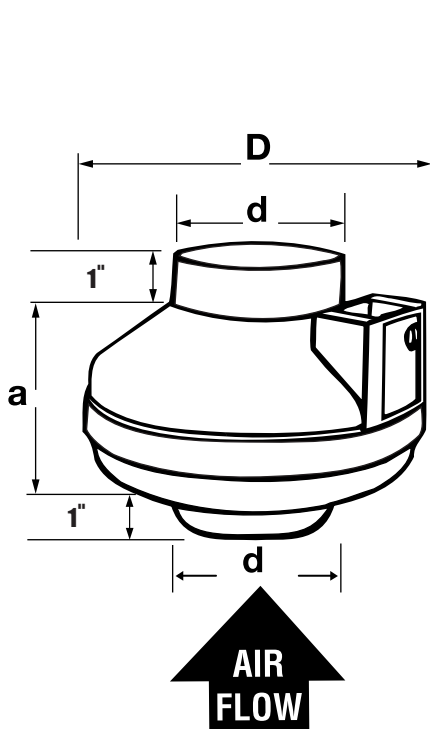
- the 6" fan can be used for baths up to 1800 cubic feet
- mount the TFK6 tube fan kit at least 12 ft. from the vent source
- the TFK6 is sufficient in most cases to vent up to two bathrooms or 2 venting points in one bath. When planning your installation remember airflow rates will be affected by the number of bends (or elbows) in the system. Always install duct work straight as possible to retain proper airflow
- the turbo-power Tube Fan[®] eliminates moisture problems quickly & quietly. It is powerful enough to exhaust two areas with just one fan

Notes

- will boost an additional 60 ft. w/ no 90 degree bends in the venting system
- 50-55 additional feet with "1" 90 degree bend
- 45-55 additional feet with "2" 90 degree bends
- 35-45 additional feet with "3" 90 degree bends (add these lengths to fixture's stated air boost length)



TFK6 - Tube Fan 6" Bath n' Spa Exhaust Kit



Dimensional Data		
D	d	a
11 3/4"	5 3/4"	6 3/8"

