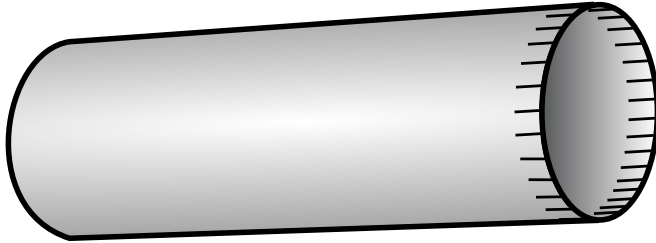


Aluminum Pipe - Round aluminum 4" & 3" diameter



DP

Model No.	Description	Thickness
DP243	3"(7.5cm) alum pipe	.009"-.0105"
DP244	4"(10.1cm) alum pipe	.009"-.0105"
DP245	5"(12.7cm) alum pipe	.012"
DP246	6"(15.2cm) alum pipe	.012"
DP604	4"(10.1cm) alum pipe	.012"
DP244C	4"(10.1cm) alum pipe	.016"
DP604C	4"(10.1cm) alum pipe	.016"

Performance Data

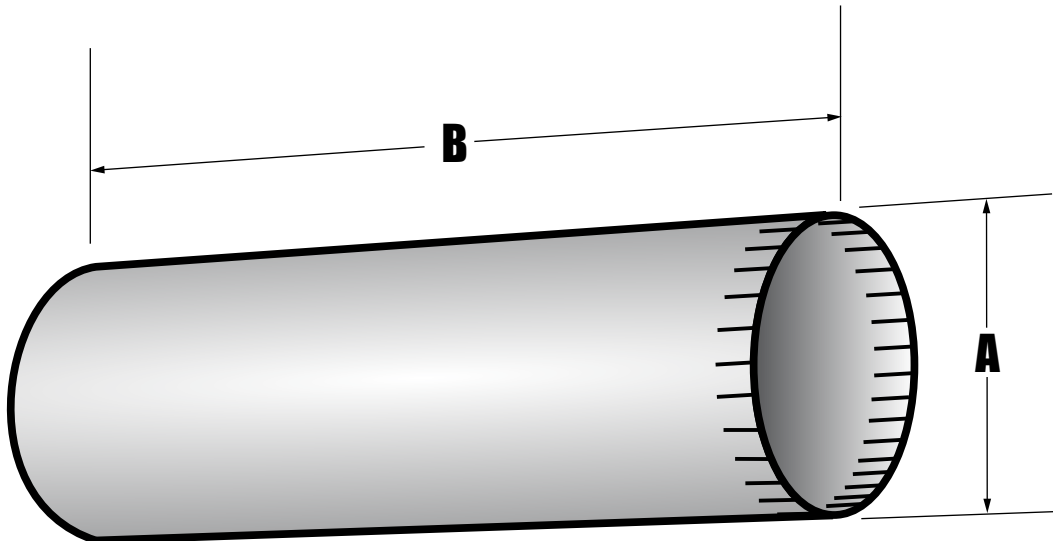
for aluminum pipe

Aluminum

- round 3"(7.5cm) & 4"(10.1cm) pipe

General Information

- all have snaplock seam to close pipe
- general purpose dryer venting, bath fan venting



Model No.	A	B
DP243	3"dia.	24"(61cm)
DP244	4"dia.	24"length
DP245	5"dia.	24"length
DP246	6"dia.	24"length
DP604	4"dia.	60"(152cm)
DP244C	4"dia.	24"length
DP604C	4"dia.	60"length

DP244C & DP604C are IRC compliant (0.016" aluminum)